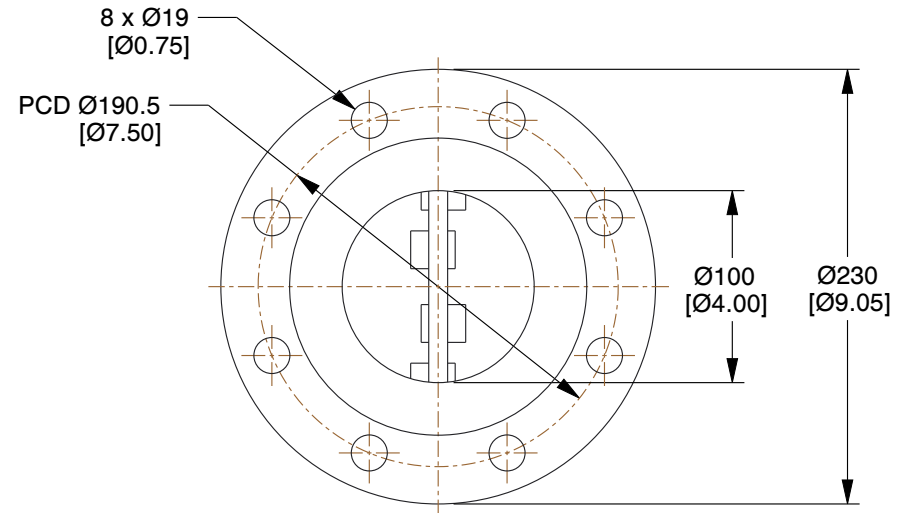
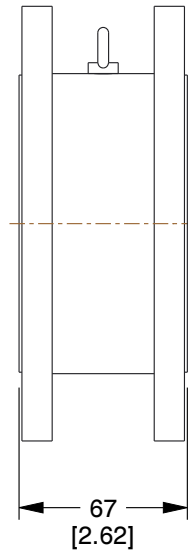


RF DETIAL VIEW



NOTES:

1. STANDARD COMPLIANCE WITH API 6D, ASME B16.5, API 594 AND AMONGST OTHERS
2. SOFT SEATED AND METAL TO METAL SEATED.
3. ZERO VELOCITY NON-SLAMMING CHARACTERISTICS.
4. THE WAFER TYPE CHECK VALVES ARE SUITABLE FOR -196° C (CRYOGENIC) TO 900° C FIRE SAFE APPLICATIONS).



Advance Valves
 142 A & B, Noida Special
 Economic Zone, NOIDA,
 Phase II - 201 305 (India)
 Phone No: + 91 120 479 6900

This file and any associated information and specifications are provided for reference and evaluation purposes only, and is subject to change without notice. Advance Valves makes no representations, warranties or guarantees as to the appropriateness, accuracy, completeness, or suitability for any purpose, of the file, information or specifications. You are solely responsible for the use of the file, information or specifications.

DPCV-150-04

100 MM - DUAL PLATE CHECK VALVE SERIES DPCV CLASS 150

SCALE	NTS
UNIT	MM[INCH]
SHEET	1 of 1